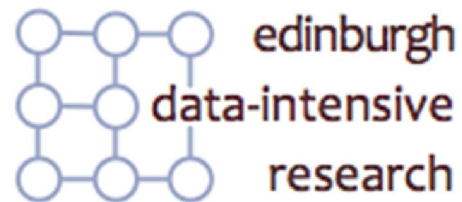


# Multi-Workflow Systems and Editors

Sandra Gesing

[sandra.gesing@uni-tuebingen.de](mailto:sandra.gesing@uni-tuebingen.de)

19 June 2013



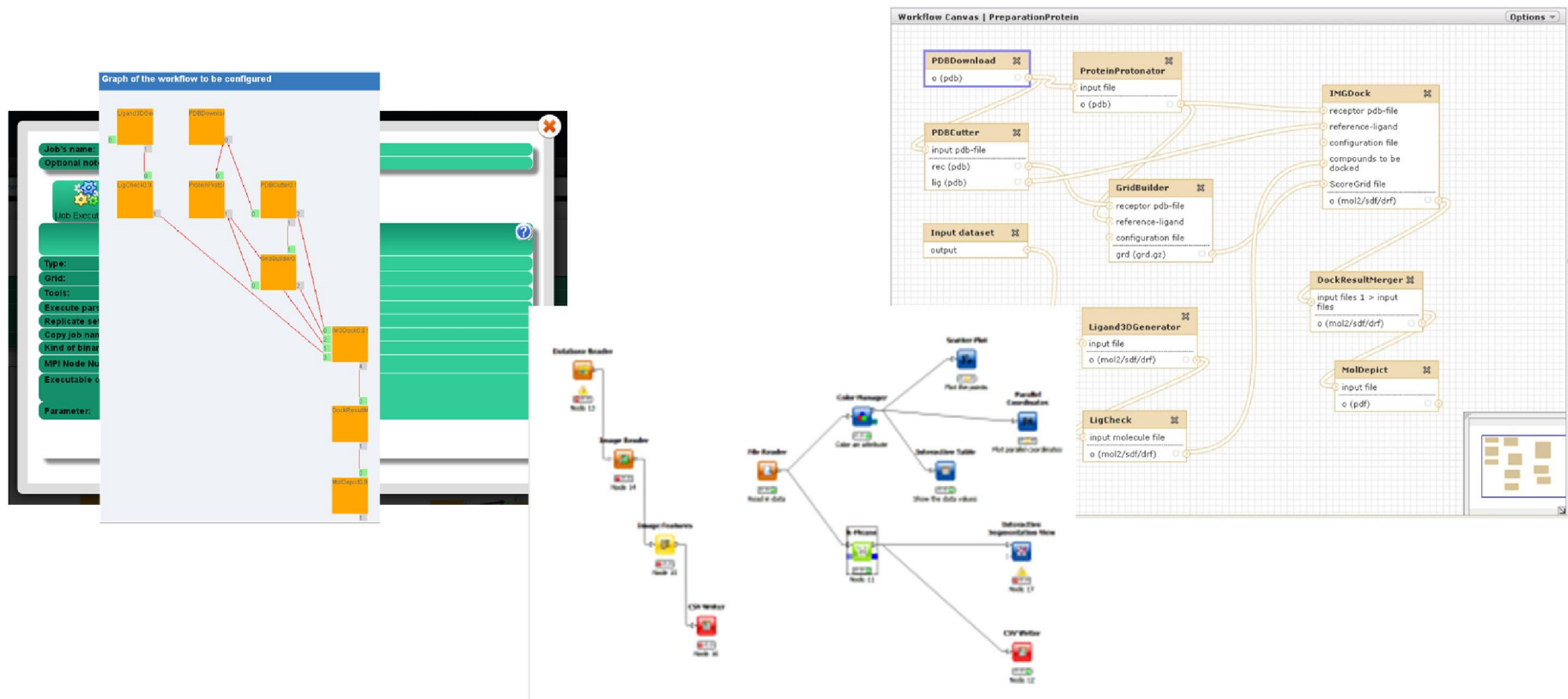
# Workflow Systems

- Different workflow concepts
- Different workflow languages
- Different workflow constructs



# Workflow Editors

- Different technologies (workbenches, web-based)
- Different look-and-feel

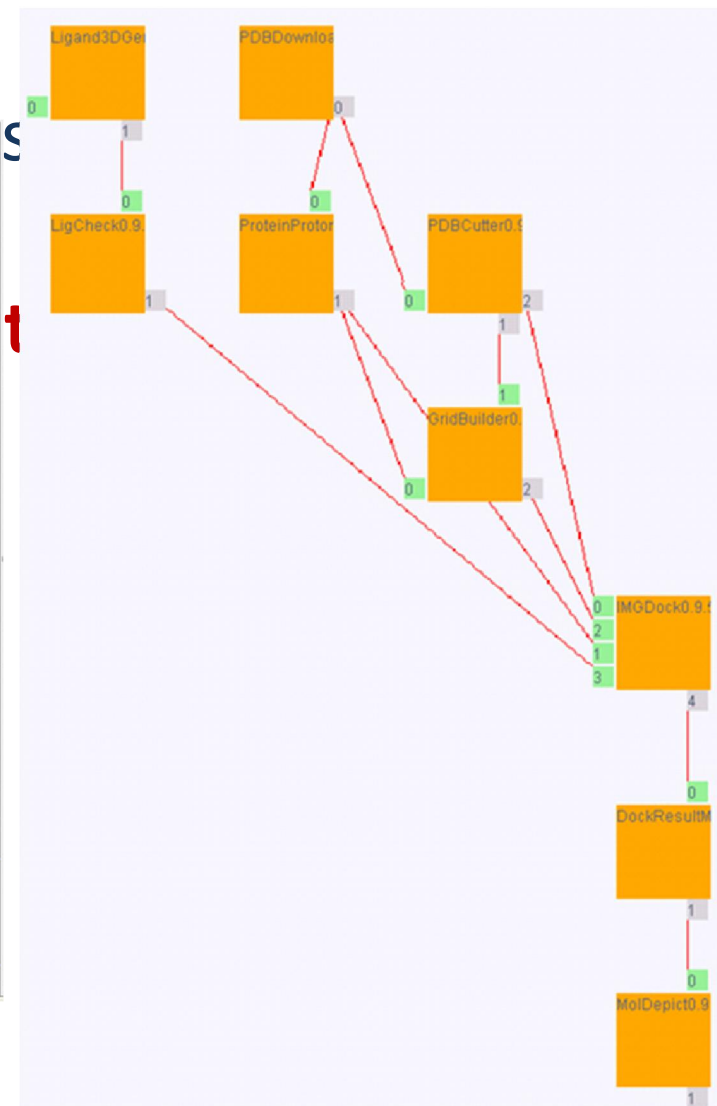
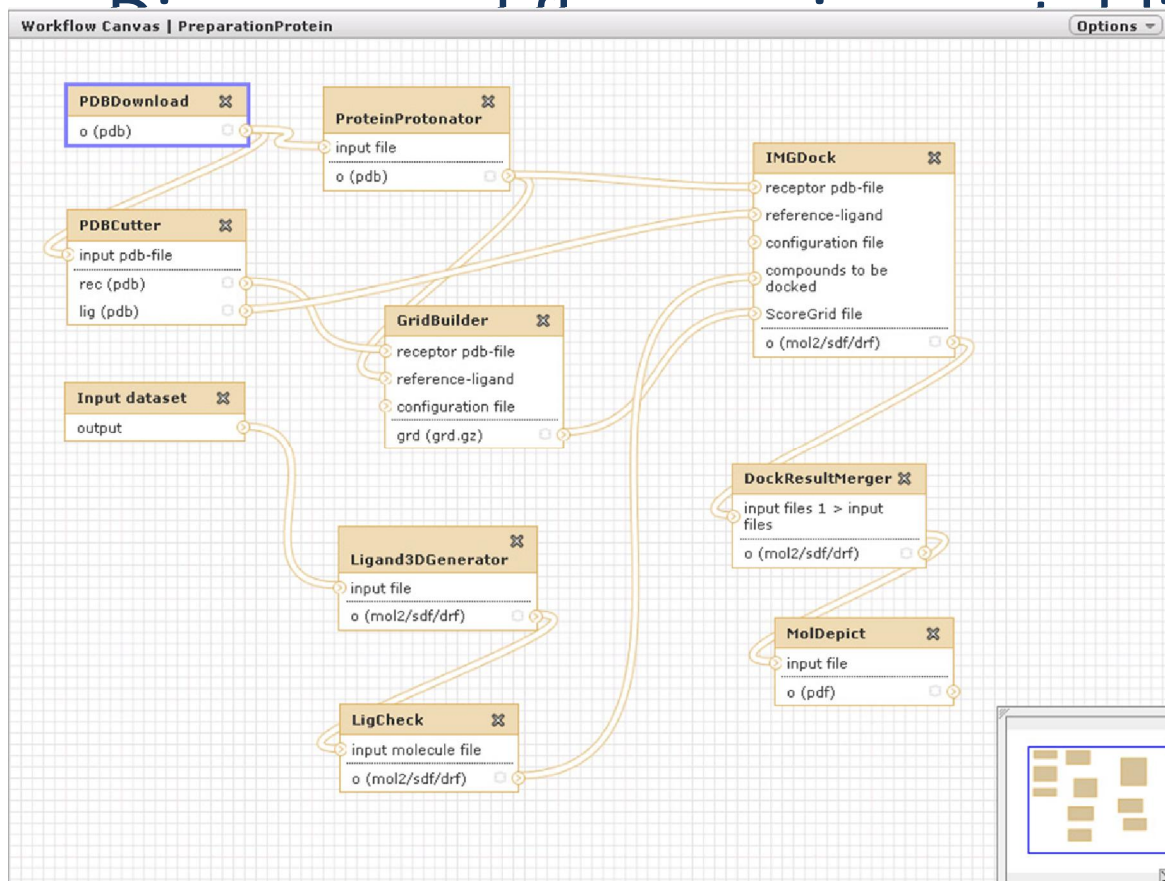


- Diverse research areas
- Diverse workflow engines and editors established

**Logical workflows are often the same inside a community**

# Heterogeneous Communities

- Diverse research areas



- Diverse research areas
- Diverse workflow engines established

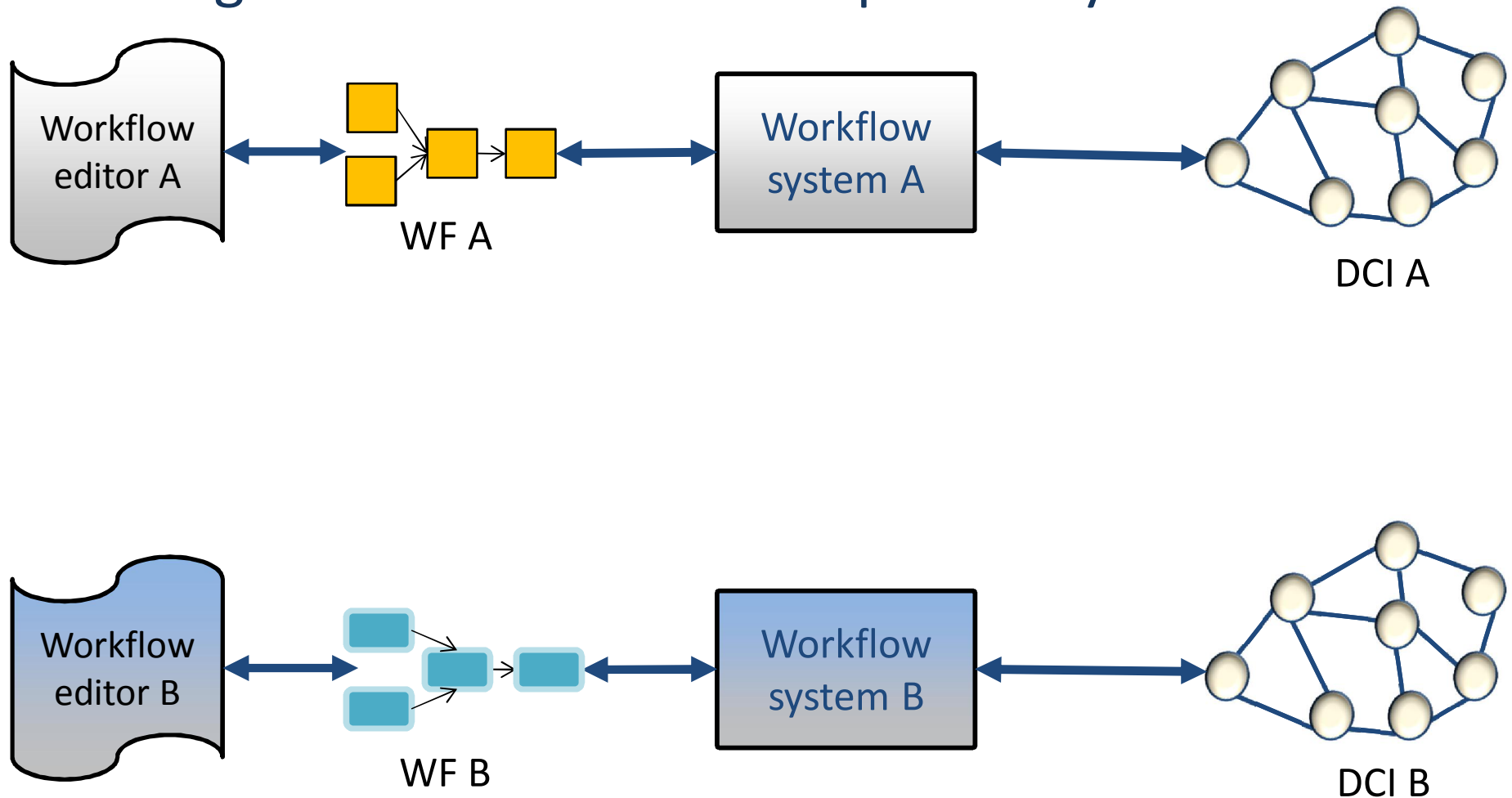
**Logical workflows are often the same inside a community**

**⇒ Re-usability of workflows needed for communities**

**⇒ Workflow Interoperability**

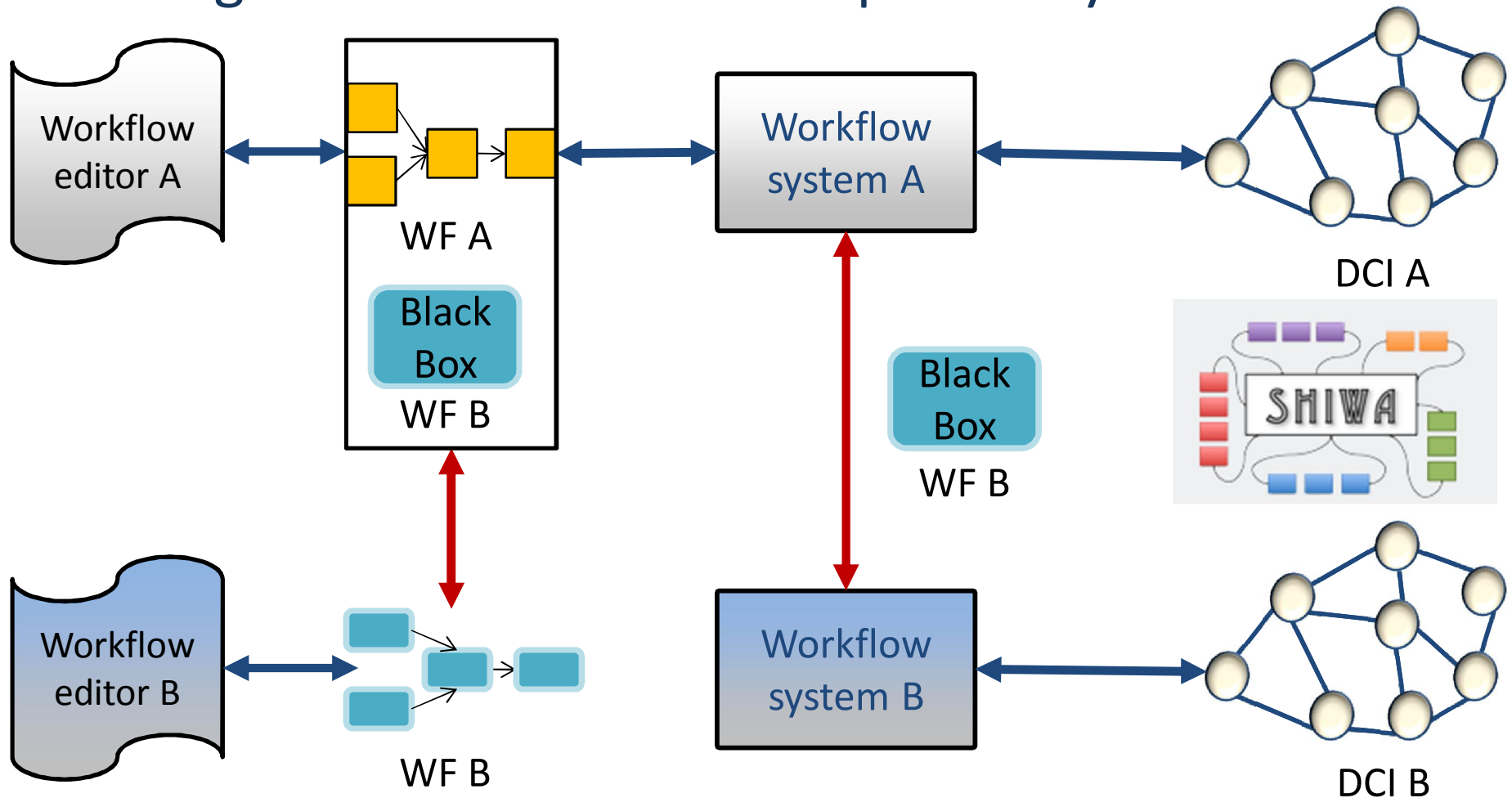
# Workflow Engine-based Approach

## Coarse-grained workflow interoperability



# Workflow Engine-based Approach

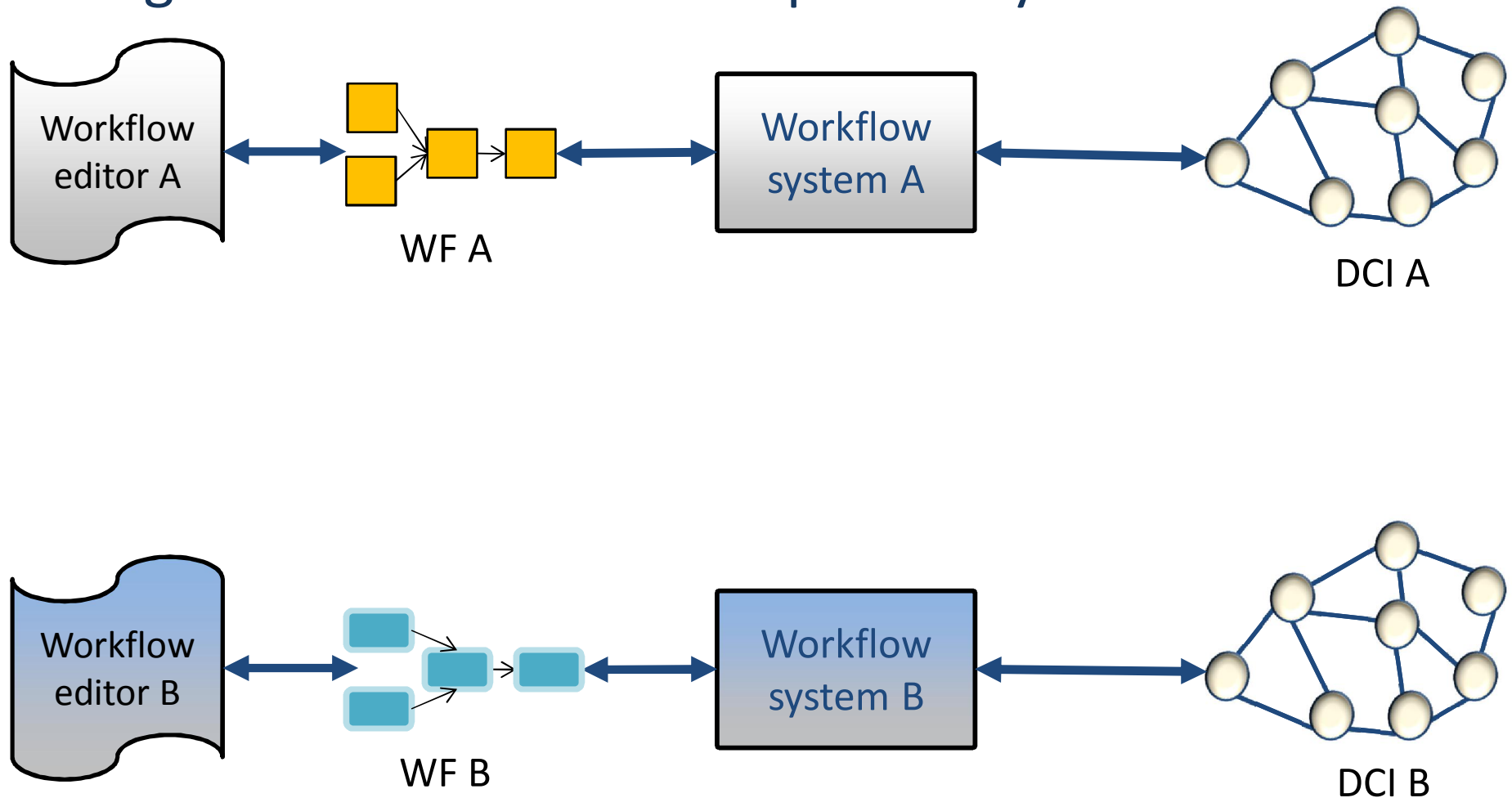
## Coarse-grained workflow interoperability





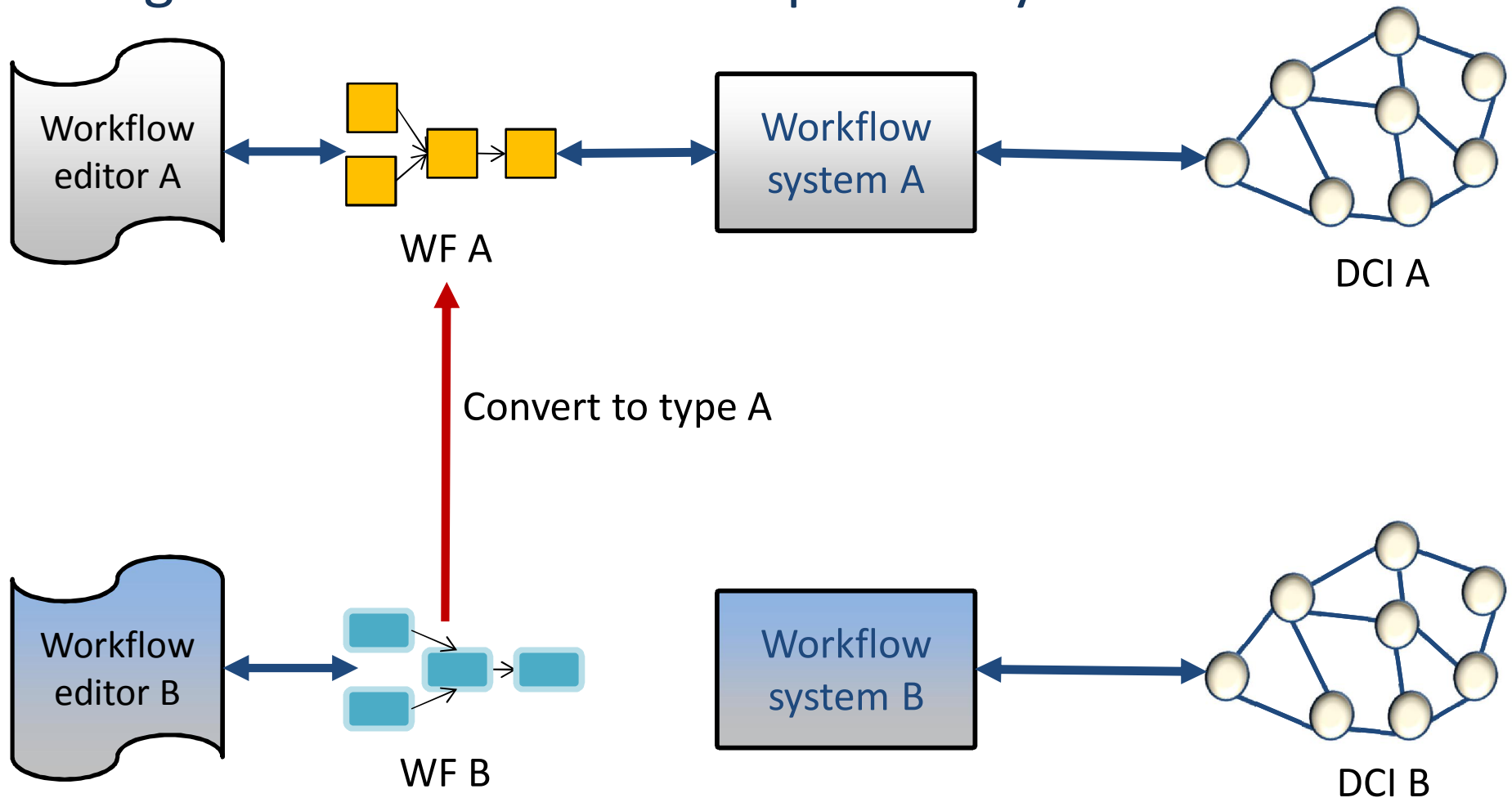
# Workflow Engine-based Approach

## Fine-grained workflow interoperability



# Workflow Engine-based Approach

## Fine-grained workflow interoperability



- SHIWA based on gUSE  
supporting ,e.g., Triana, Taverna, Kepler, MOTEUR
- Tavaxy based on Galaxy  
supporting Galaxy and Taverna
- MoSGrid based on gUSE  
supporting Galaxy to gUSE, UNICORE in gUSE

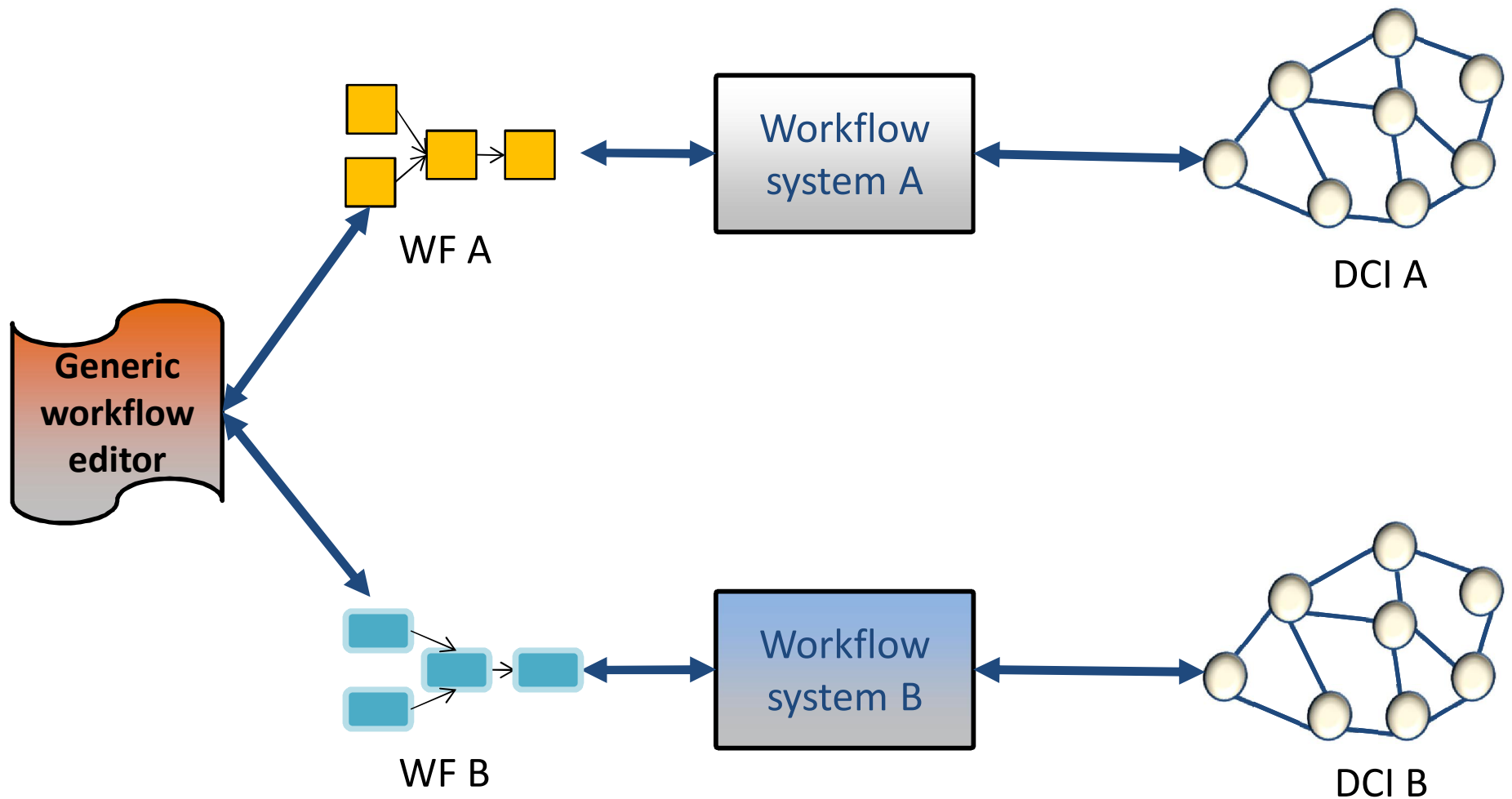
**Excellent solutions but can be extended...**

**What happens if a workflow changes?**

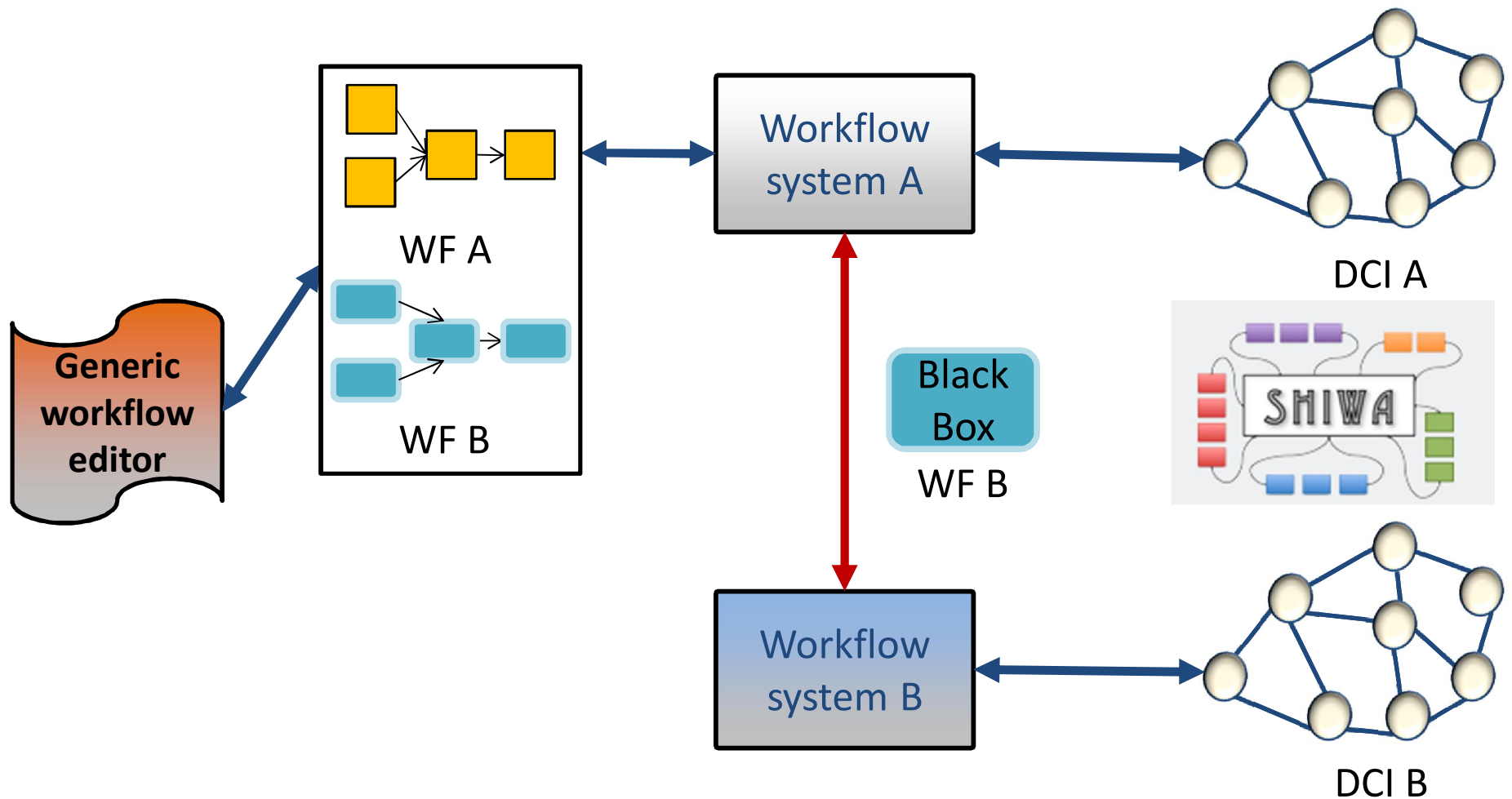
⇒ **Coarse-grained: users need access to the origin workflow editor**

⇒ **Fine-grained: users needs to change the workflow in the origin and in the targeted workflow editor**

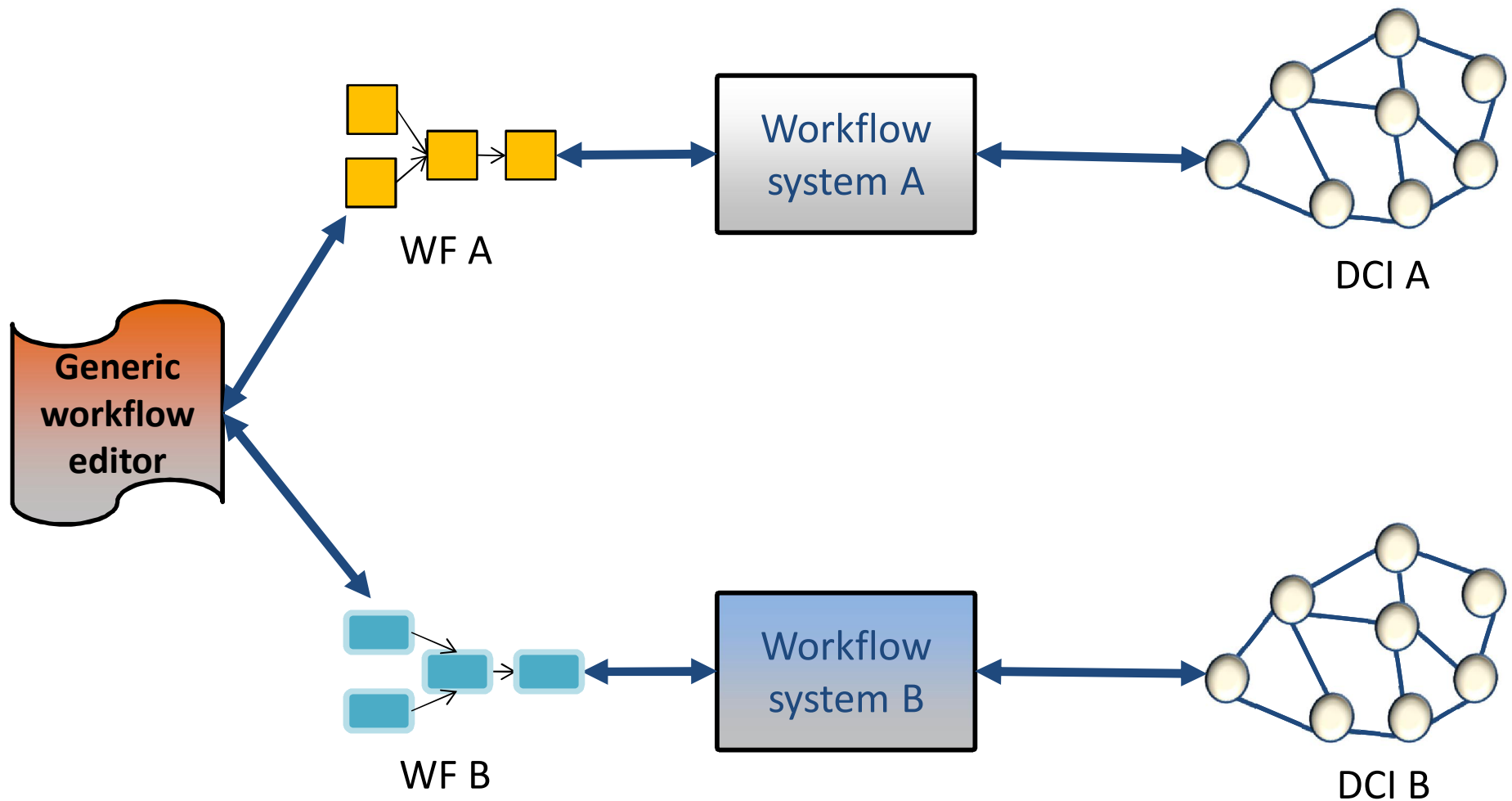
# Workflow Editor-based Approach



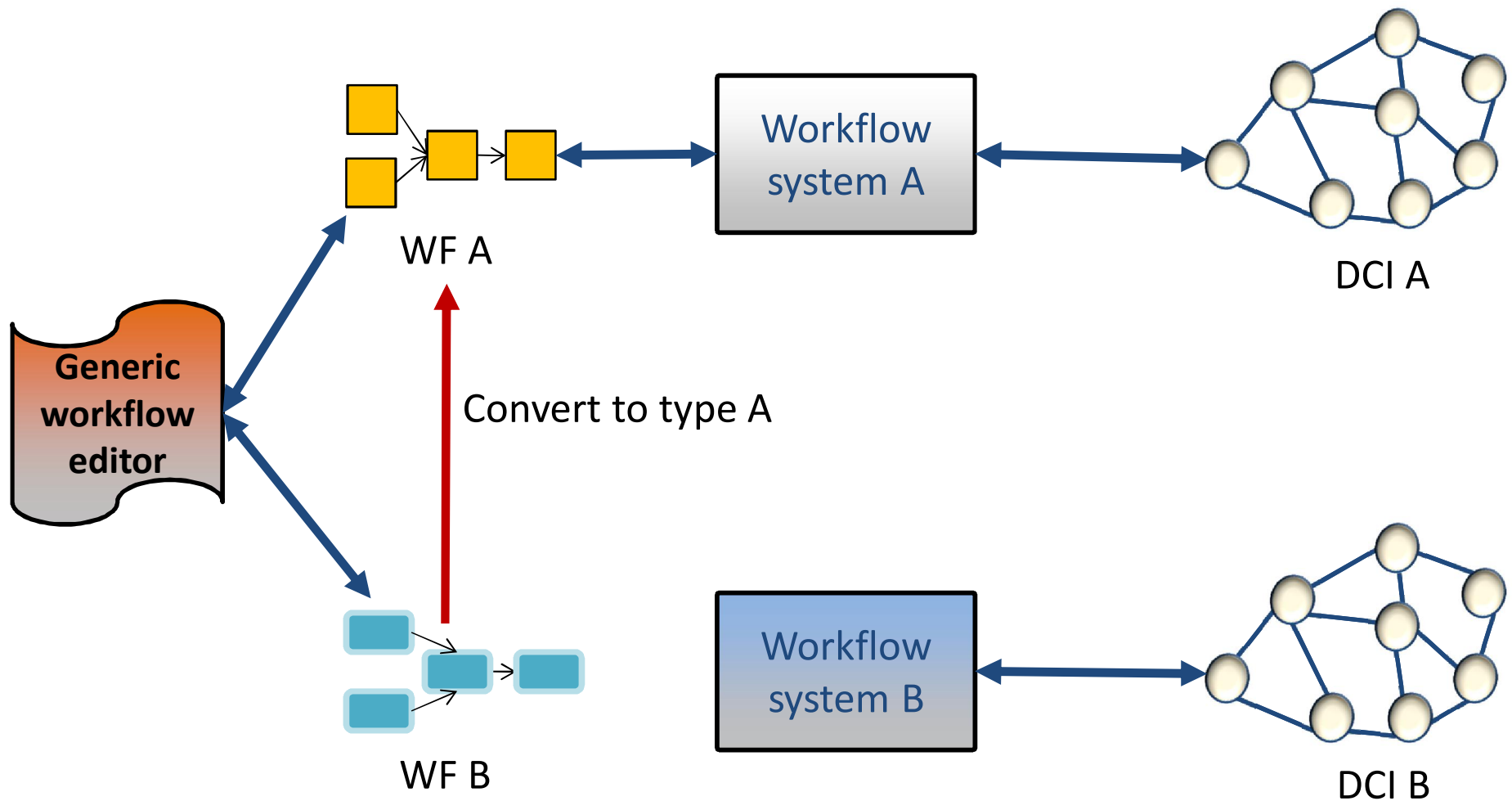
# Workflow Editor-based Approach



# Workflow Editor-based Approach



# Workflow Editor-based Approach



## GeWWE (Generic Web-based Workflow Editor)

### Goal

- One editor for diverse workflow languages
- Visual representation of workflows is the same as in the origin workflow editor
- Easy integration of new workflow languages

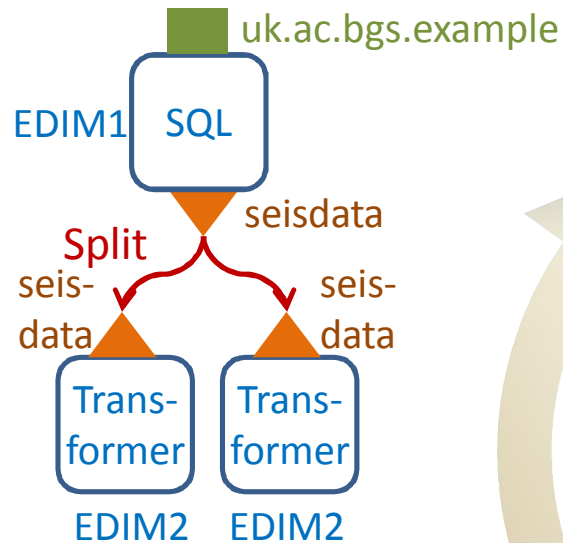
⇒ **Same look-and-feel for editing diverse workflows**

⇒ **One platform for the whole life cycle of editing workflows**

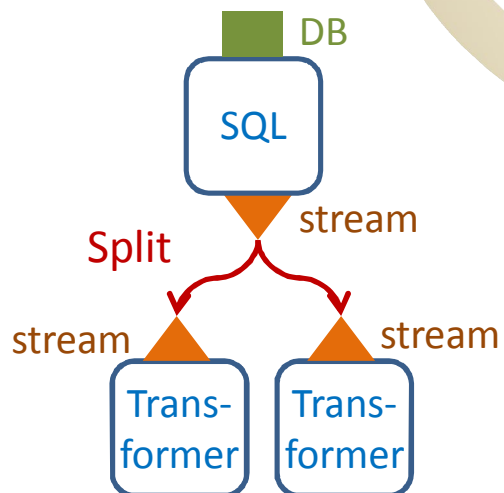


# Life Cycle of Editing Workflows

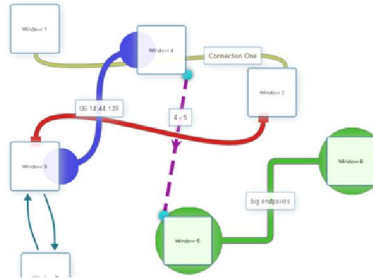
## Ready-to-process workflow



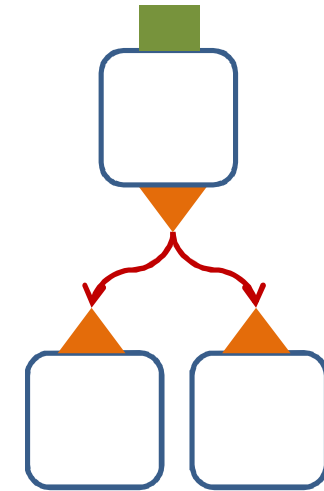
## Workflow instance



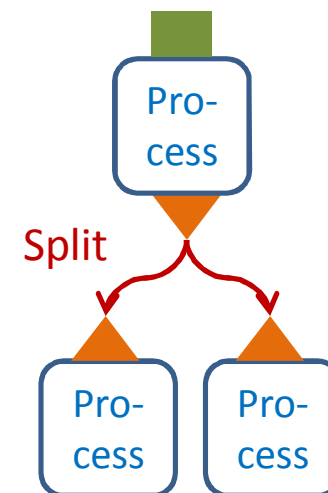
# GeWWE



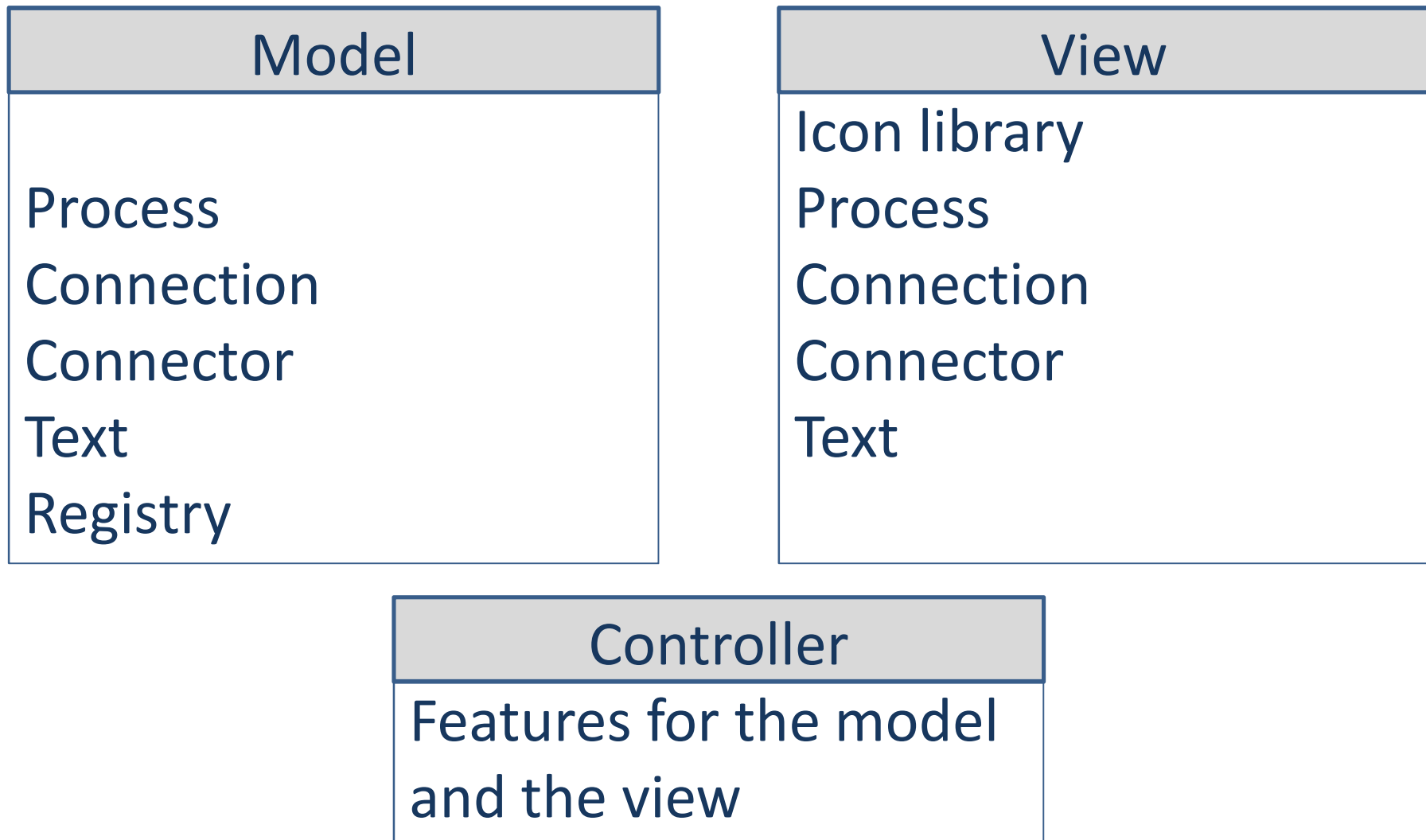
## Visual representation



## Logical representation



## Following the Model-View-Controller (MVC) concept



- Visualisation of workflows
- Selection of workflow language
- Support of meta nodes
- Selection of processes, connections, and connectors
- Parameterisation of processes
- Annotation
- Registry for internal and external resources
  - processes
  - compute and data resources
- Import and export text



[sandra.gesing@uni-tuebingen.de](mailto:sandra.gesing@uni-tuebingen.de)